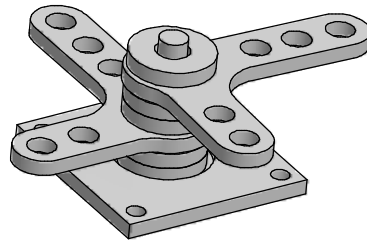
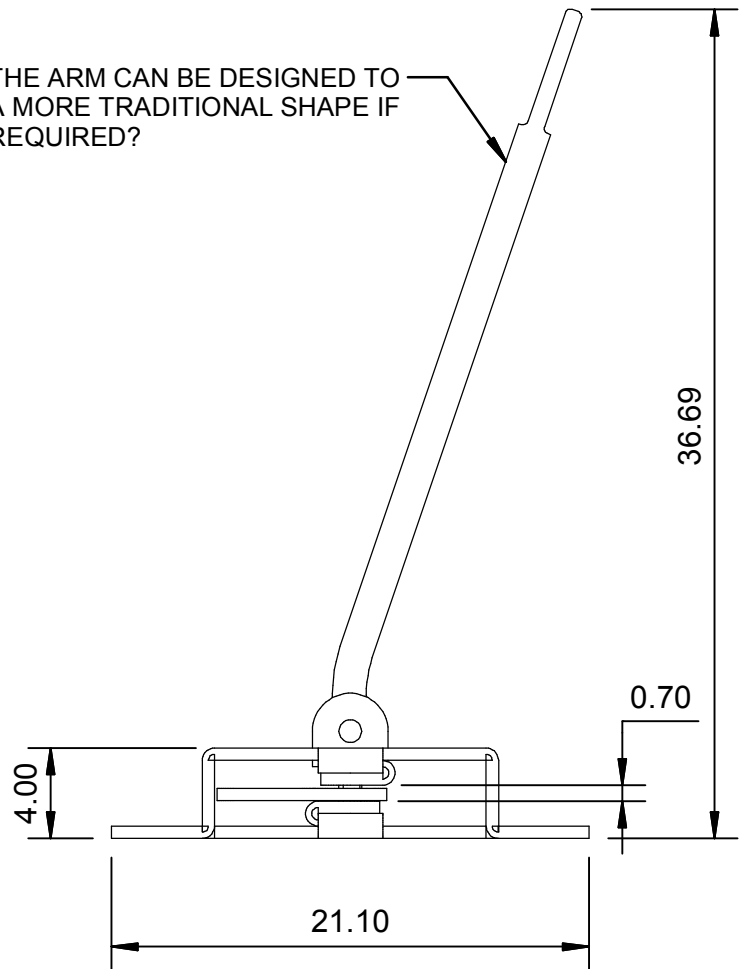


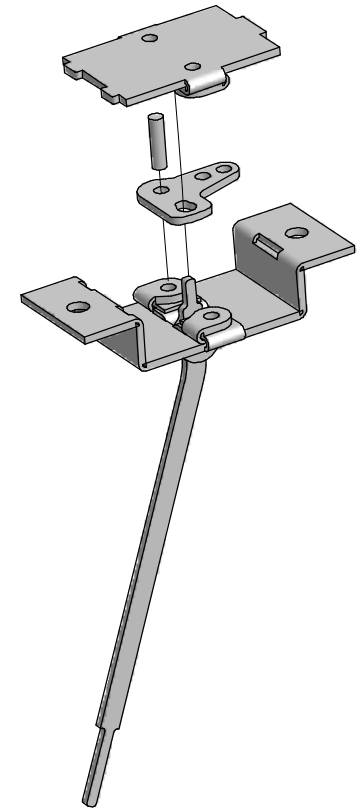
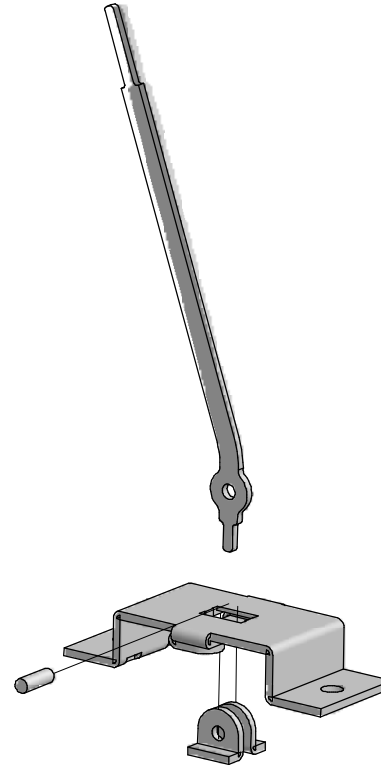
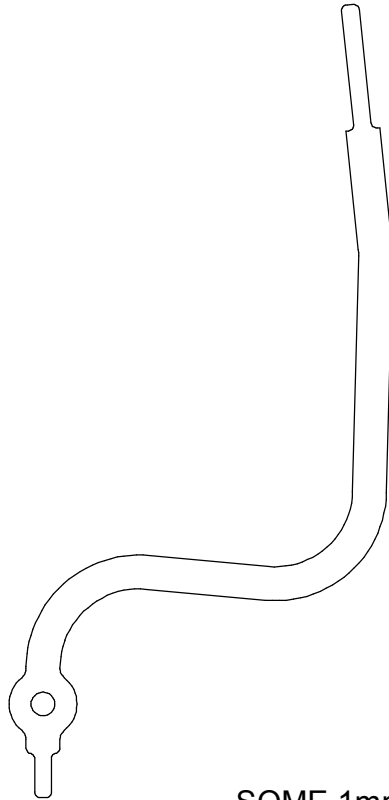
THE ARM CAN BE DESIGNED TO A MORE TRADITIONAL SHAPE IF REQUIRED?



TO BE ETCHED FROM .55mm NICKEL SILVER. DESIGNED TO GIVE 4.5mm TRAVEL, ENOUGH TO THROW A PECO 7mm POINT.

STAGE 1

STAGE 2



SOME 1mm DIA ROD WILL BE NEEDED TO COMPLETE.

DESIGNED BY Peter Harvey	SCALE N/A	DATE 28/11/2011
PH Designs ©2011	7mm Manual Point Lever	
	PH7CW1	ISSUE 1
		SHEET 1 / 1